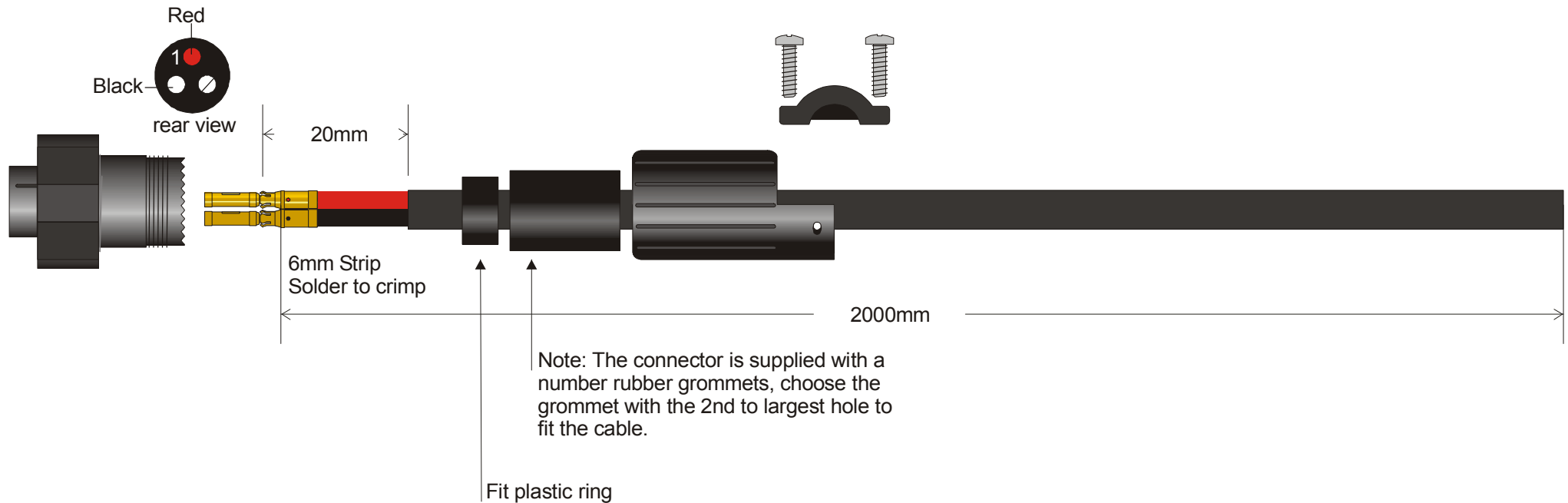




219-03196-00 CBL assy 2wy 2m mwI DC pwr

Dept: MimoMax Manufactured
 Author: Tony Beswick
 Approved: Design Engineer
 Reviewer: Brendan Burnett
 Date: 4 JUN 08

Item	Description	Qty
240-06044-00	CONN 3wy rnd pwr IP67	1
205-00019-01	CBL twin auto 23/0.32 Red/blk	2000mm x 1
240-00046-00	SKT sldr fem pwr TMAH	2



Document History: 22 May 08 TAZ: Created